

Masport®

FREESTANDING WOOD FIRES

HORIZON

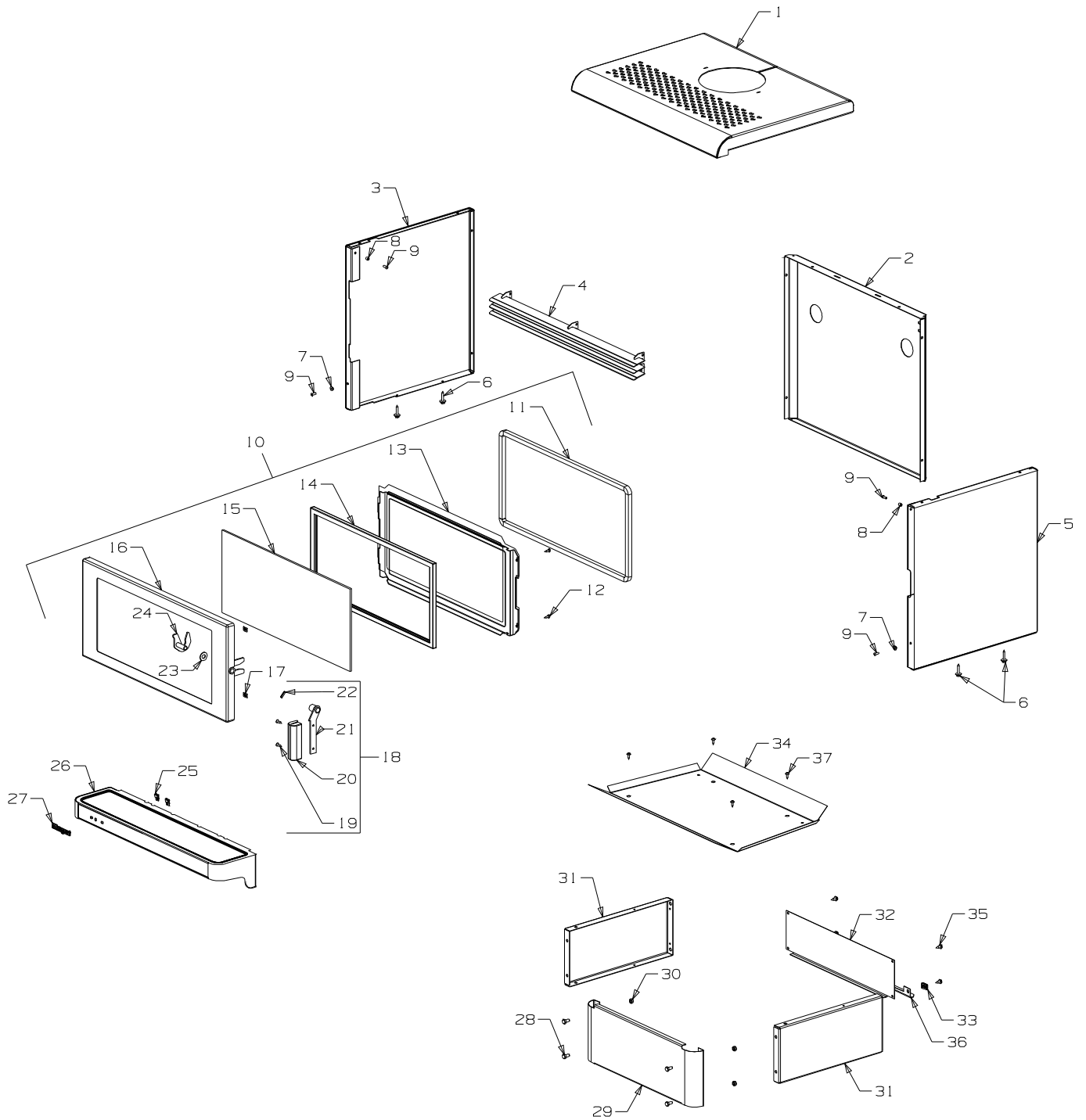
(New Zealand/Australia)

		NZ	AUST
Horizon Part Numbers	Charcoal	995925	A87944

From Serial Number 3004726

Date and year of Manufacture: December 1998

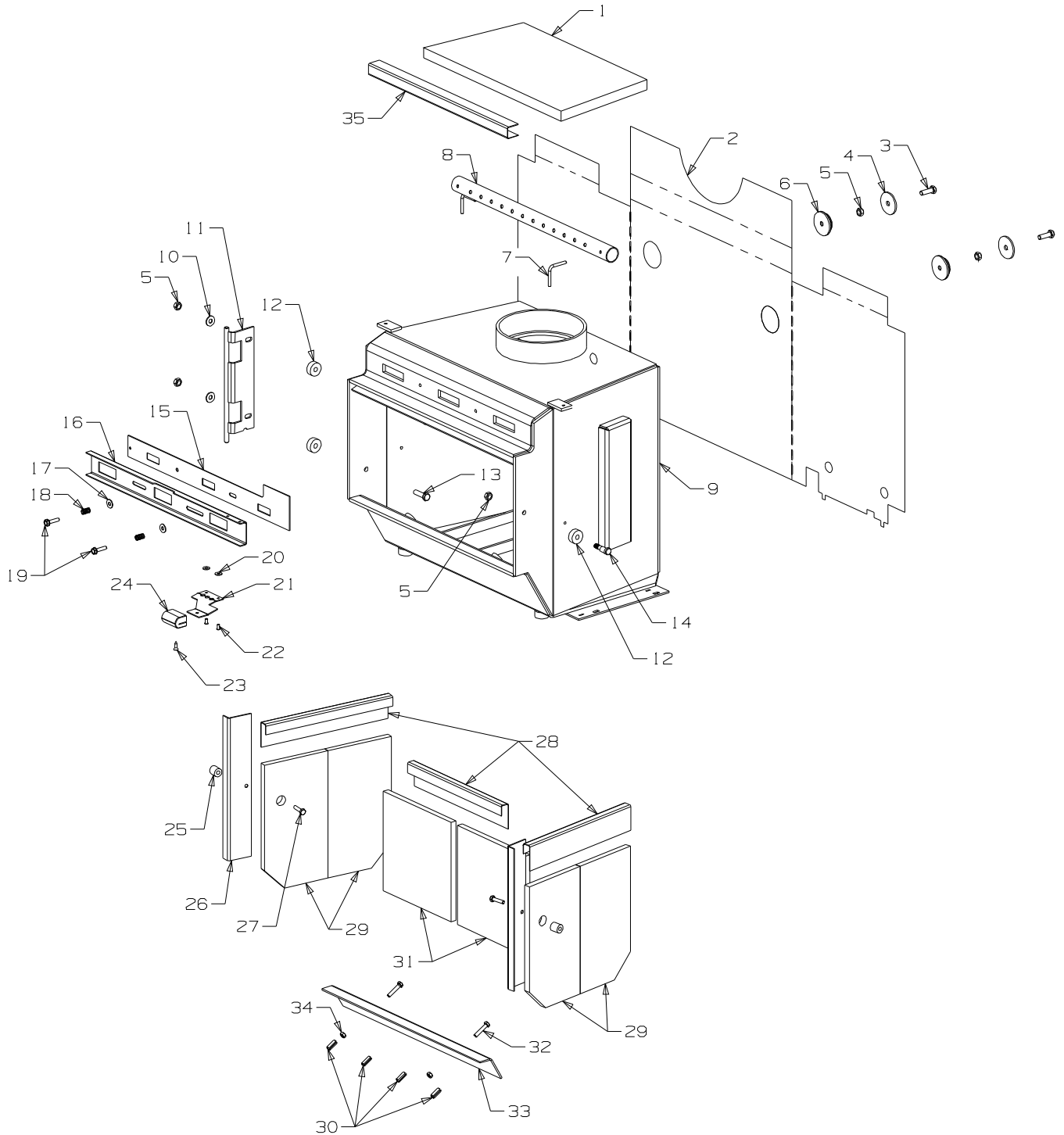






Item No	Part No	Description	Qty	Item No	Part No	Description	Qty
1	787693	Panel-Top - Charcoal	1	23	501704	• Washer, Flat 10 x 21 x 1.6	3
2	987772	Panel-Rear - Black	1	24	987006	• Latch-Door Assy 10mm - Black	1
3	787695	Panel-Side, LH - Charcoal	1	25	503381	Clip-Starlock, 4 Dia	
4	987792	Grille-3 Louvre - Black	1	26	787700	Shelf-Ash - Charcoal - New Zealand	1
5	787696	Panel-Side, RH - Charcoal	1	•	787069	Panel-Front - Charcoal - Australia	1
6	503459	Screw, S/T 12 x 25	6	27	584581	Badge - Gold	1
7	986149	Spacer-Front Panel	6	28	501959	Screw, Set M6 x 12 Hex	6
8	986148	Spacer-Grille	2	29	787847	Panel-Pedestal, Front - Charcoal	1
9	501303	Rivet-Pop 4.0 Dia x 7.9	8	30	501682	Nut, M6 HEX	22
10	987860	Door Assy - Charcoal		31	787848	Panel-Pedestal, Side - Charcoal (2 per pack)	1
11	700755	• Rope ,Rnd 16.0 Glass	1	32	787849	Panel-Pedestal, Back - Charcoal	1
12	501480	• Screw; S/T 8 x .5	2	33	503388	Nut, Spire	6
13	986546	• Retainer-Glass	1	34	987533	Heatshield-Bottom	1
14	600864	• Tape ,Flt 3 x 20	1	35	503259	Screw; S/T 10 x .5	10
15	584591	• Glass, 5 x 458 x 213	1	36	986413	Bracket-Seismic Restraint	2
16	787694	• Frame-Door - Charcoal (Incl 17-23)	1	37	503005	Screw; Pan No.10 x 1/2"	4
17	503001	• Nut, Spire	2				
18	786772	Handle Assy, Door	1				
19	503004	• Screw; Csk No. 8 x 5/8"	2				
20	586161	• Handle-Door	1				
21	986605	• Handle-Assy - Black	1				
22	503006	• Pin, Tension 4.0 x 16	1				

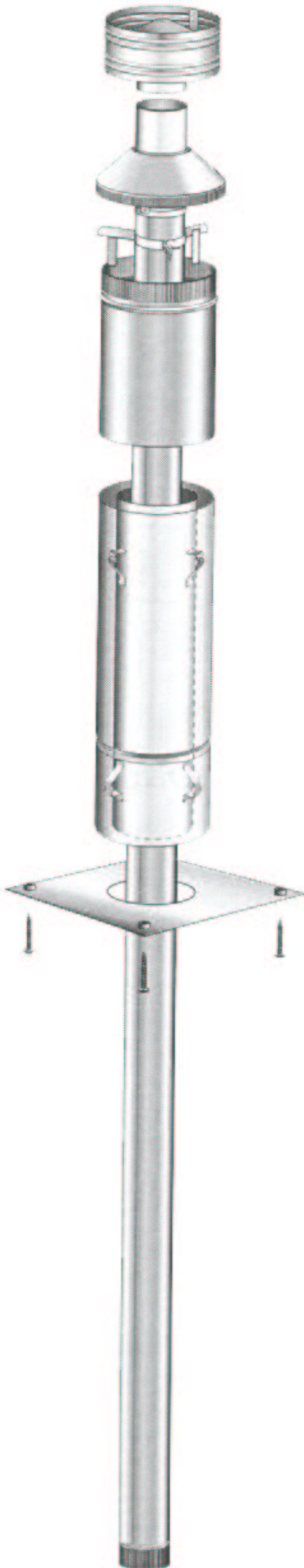
Bold Text = Assemblies
Bulleted Text = Items included in Assemblies





Item No	Part No	Description	Qty	Item No	Part No	Description	Qty
1	987785	Board-Firebox, Top - 20 x 218 x 357	1	17	500374	Washer; Flat 1/4"	14
2	987531	Heatshield-Side & Rear	1	18	585223	Spring-Compression, Air Inlet	2
	984090	Plug Assy - 34 Dia	2	19	503336	Screw, S/T M6 x 25	2
3	501598	• Screw, Set M8 x 25 HEX	2	20	500848	Washer; Flat 3/16" x .5	2
4	502093	• Washer, Flat 8 x 42 x 3	2	21	986166	Extension-Air Slide	1
5	501602	• Nut, M8 HEX (2)	13	22	586167	Rivet-Pop 4.0 Dia x 4.8	2
6	684089	• Plug-34Dia	2	23	503792	Screw; Csk No. 8 x 1/2"	1
7	586439	Pin-Retaining	1	24	986162	Knob-Air Control	1
8	986438	Tube-Secondary Air, - 14 x 6.5 Straight S/S	1	25	994043	Spacer-Fireboard, Retainer	2
9	987692	Firebox Assy - Steel	1	26	987549	Retainer-Fire Board	2
10	501606	Washer, Flat 8 x 19 x 1.6	2	27	501963	Screw, Set M6 x 25 HEX	2
11	986515	Hinge Assy, Door	1	28	994052	Channel-Brick Retainer	3
12	987840	Spacer-Handle, Door	2	29	793087	Board-Firebox, Side - 15 x 135 x 250 (2 per pack)	2
13	501685	Screw, Set M8 x 30 HEX	2	30	503008	Pin, Tension 8 x 20	4
14	587516	Pin-Door Latch	1	31	793086	Board-Firebox, Back - 15 x 195 x 195 (2 per pack)	1
15	987353	Plate, Back-Meter 1ID Hole - New Zealand	1	32	501962	Screw, Set M6 x 30	6
	• 987559	Plate, Back-Meter 3D Hole - Australia	1	33	987551	Plate-Base Air	1
	• 987858	Plate, Back-Meter 3D Hole - Overnight Burn - NZ	1	34	501682	Nut, M6 HEX	22
16	987550	Slide-Air Inlet 20 x 50	1				

Bold Text = Assemblies
Bulleted Text = Items included in Assemblies



150mm Flue Kit

(to suit **Horizon**, LE 2000, LE 3000, LE 5000, LE 7000, Utopia, Panorama)

Contains:

- 3 x 1200mm lengths Flue
- 1 x 1200mm length Outer / Inner Heat Shield Combination
- 1 x 600mm Outer Shield Extension
- 1 x Anti Down Draught Cowl
- 1 x Casing Cover
- 1 x top Flue Spacer Bracket
- 1 x Ceiling Plate
- 1 x Packet screws & Ceramic Spacers

Note: Flue Reflector is required for standard installations

NZ ONLY

Part No: 556099



Part No	Description	Qty
NOT ILLUSTRATED		
585416	Bag-Fire Bedding Sand (Firebox)	1
593000	Owners Manual	1
ASSEMBLYS		
987823	Pedestal Assy - Packed (Charcoal)	1
535707	Fan Assy	1
ACCESSORIES		
586044	Hot Water Booster (also need 986788)	1
556266	Paint, Touch Up - Charcoal	1